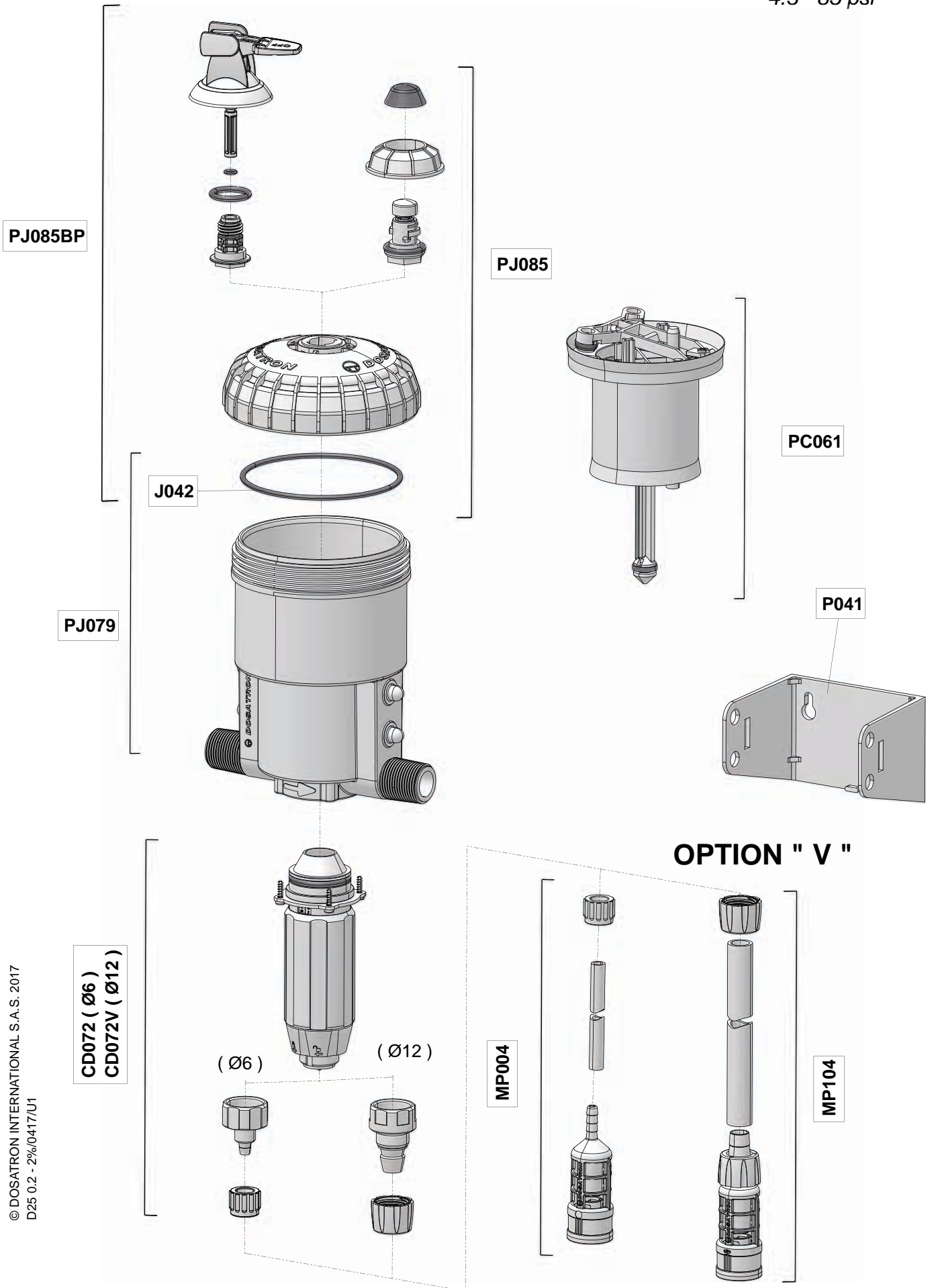


D25 0.2 - 2%

2.5m³/h - 0.2 - 2%
 11 GPM - 1:500 - 1:50
 0.3 - 6 bar
 4.3 - 85 psi



© DOSATRON INTERNATIONAL S.A.S. 2017
 D25 0.2 - 2%/0417/LU1

CD072 (Ø6)
CD072V (Ø12)

OPTION " V "

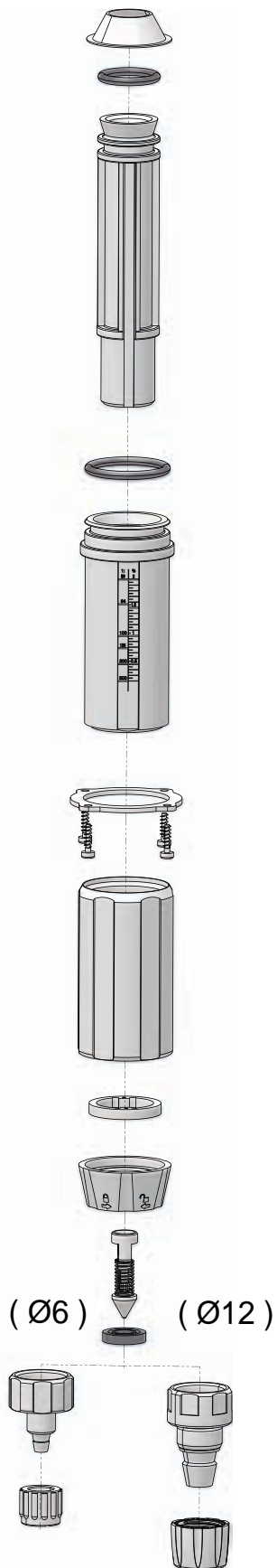
MP004

MP104

D25 0.2 - 2%

2.5m³/h - 0.2 - 2%
11 GPM - 1:500 - 1:50
0.3 - 6 bar
4.3 - 85 psi

CD072 (Ø6)
CD072V (Ø12)



PJ093 (Ø6)
PJ093V (Ø12)

